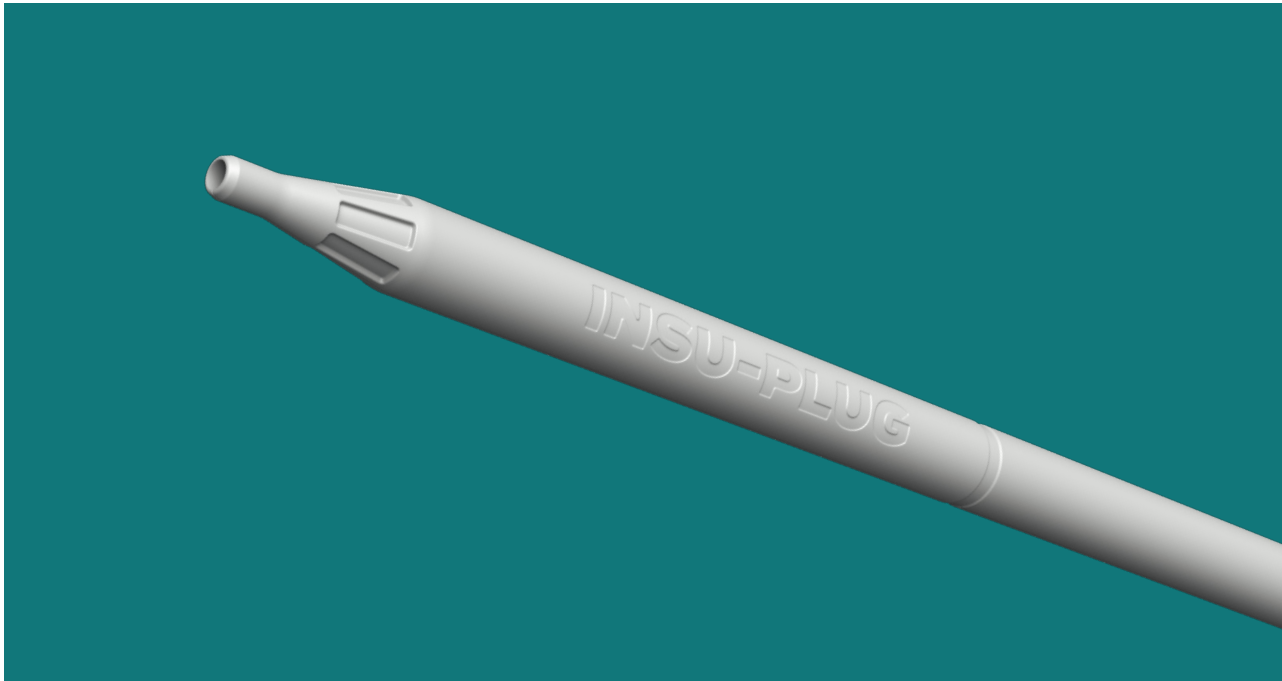


INSU-PLUG

Manufacturer Number: 401861006



INSU-PLUG is the main product for INSU-PLUG System, which is in cooperation with [AKKAR Tool](#) and [AKKAR Ring](#)

INSU-PLUG is made of Viscoelastic (Memory) Foam, once it is installed with the electrical wire, the tube will seal and insulate the hole to prevent moist and condensation from the wall.

Dimensions

Length: 533 mm
Diameter: 26mm
Hole size: 7.8mm

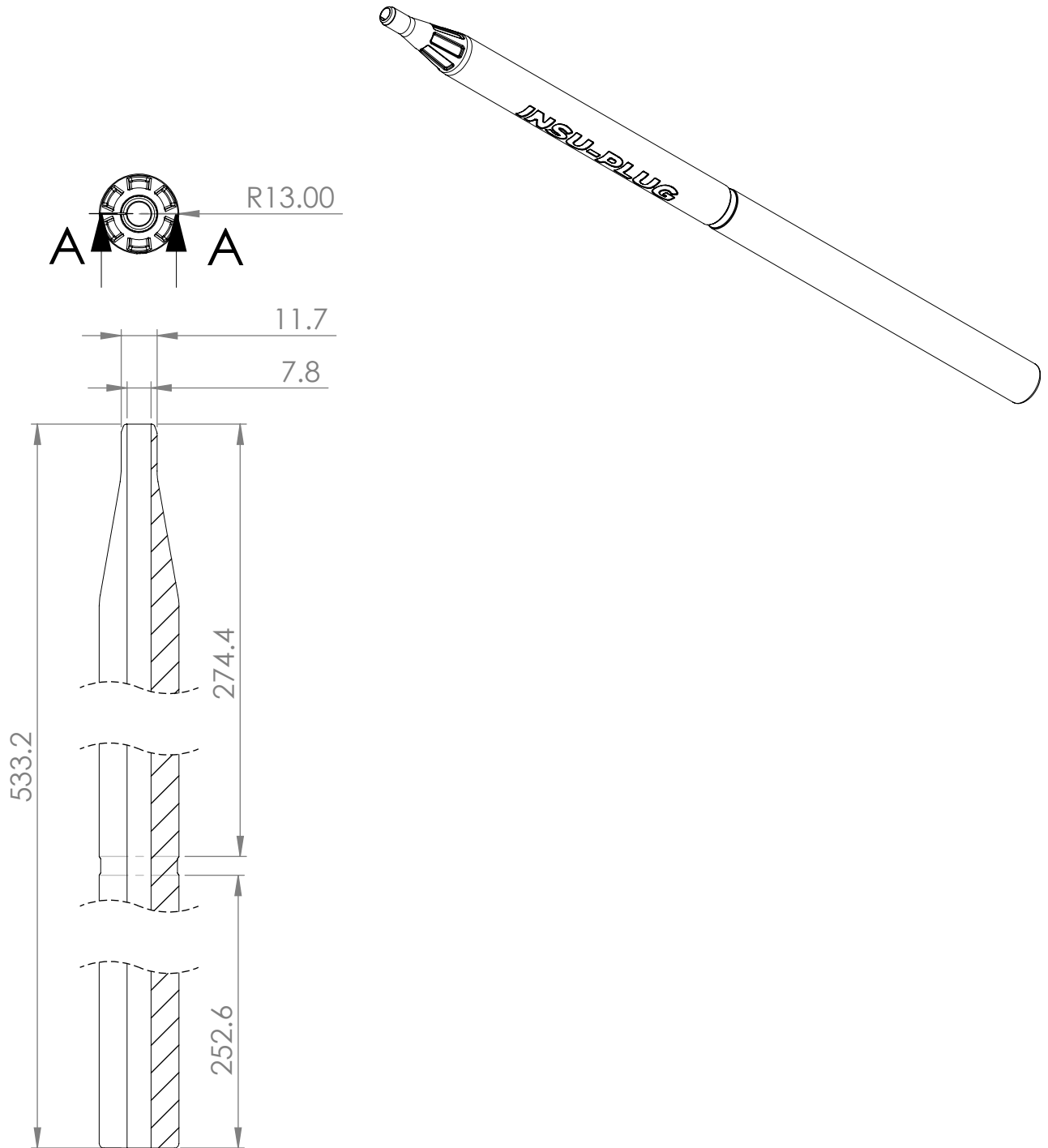
Weight

80g

Material

Polyurethane

DIMENSION



SECTION A-A

FLAME RETARDANT

INSU-PLUG is among the category of B2 class in terms of flame retardant, which corresponds to the European classes D and E.

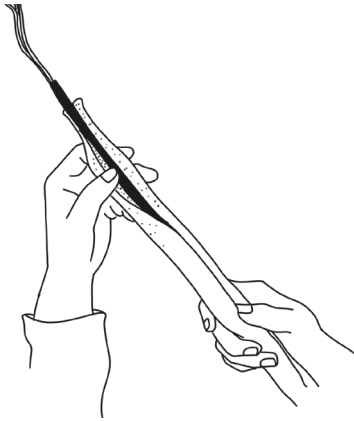
Building material class		Designation
Class A	A1	Non-combustible materials
	A2	
Class B	B1	Not easily flammable
	B2	Flammable
	B3	Easily flammable

Euroclass	Coverage
A1 & A2	will cover products that do not contribute to the development of a fire
B	will cover products that have a very little contribution to fire
C	will cover products that have a limited contribution to fire
D	will cover products that have a contribution to fire
E	will cover products that have a contribution to fire and are only able to resist ignition by a small flame for a short period.
F	is for products that have shown no performance criteria.

AGE GRADE

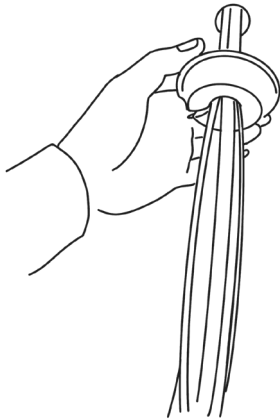
The Polyurethane(PU) material of INSU-PLUG has a age grade of 10-15 years with the aging process of mainly color changes (from white to yellow). Without sun light exposure, the aging process can be incredibly even much slower.

MANUAL



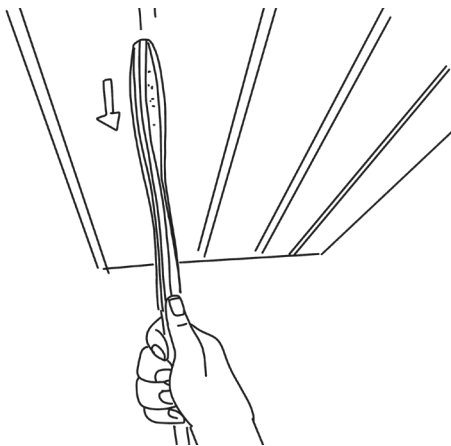
STEP 1

Prepare the INSU-PLUG with your wire.



STEP 2

Fit the INSU-PLUG with the AKKAR Tool, put the Ring on. Target the Tool to the hole.



STEP 3

Pull the AKKAR Tool with INSU-PLUG and the wire, installation finished.